

Manage

EM-2-02



SPECIFICATION

The Enlighted Manage server, sourced from Lanner and certified by Enlighted, provides a secure web-based interface to monitor, maintain, and analyze energy savings and other data collected by the Enlighted Smart Sensor network. Manage translates data from the sensor network into detailed energy, temperature, and occupancy insights around the clock.



OVERVIEW

Manage stores, performs analysis, and provides visual reporting of sensor data. In addition to being the collection point for energy, occupancy, and environmental data captured by the Enlighted Smart Sensors. Manage provides a web-based user interface for lighting system management, IoT device management, and optimizing building system performance.

The Manage server handles up to 1500 individual sensors and controls up to 3,500 BACnet points, available for purchase through the Lighting BACnet software license.

FEATURES

Simplified Lighting Control Management: Configures and manages lighting behavior by adjusting software profiles while retaining lighting data for up to 36 months. It generates reports on the lamp and fixture outages, carbon reduction, energy, and financial savings.

Power Metering: By deploying various control strategies at an individual fixture level, direct power metering provides data for comprehensive savings analysis.

Comprehensive Insight into Building System Performance: Automatic Demand Response (ADR) and Demand Response (DR) optimize operating costs and comply with energy efficiency and sustainability goals. Measure and identify under-utilized spaces by gaining insight into building usage patterns.

Standards-Based Communications Protocols: Industry-standard communication protocols provide robust and mature capabilities. REST-based APIs support GET, POST requests and XML, JSON responses. BACnet/IP enables integration between the Enlighted lighting network and Building Management System (BMS). Users can turn on or off Bluetooth 4.0 Low Energy (BLE) beacons via Manage.

Data Security: AES 128-bit encryption for wireless data transmission and TLS encryption for TCP/IP along with the use of a 2048-bit certificate and SHA-256 Cipher enable the highest standards of Corporate Data Security requirements.

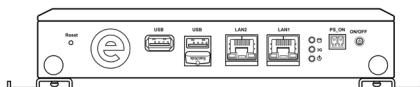
Data Privacy: Collects and stores occupancy data captured by the Enlighted sensors. The sensors cannot directly reference or identify any natural person. The user details such as login, logout events, IP address, first, last name, and application pages accessed by the user and the organization's name, occupancy data, and floor plans are stored.

Flexible Deployment: Installs on an IT Corporate Network, dedicated Gateway Network, or as a stand-alone system. The intuitive graphical user interface is accessible via a standard secure web browser, thus eliminating software downloading.

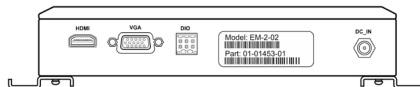
Title 24 Compliance: Simplifies code compliance by automatically setting profile parameter limits and automating specific tests that Title 24 requires. The software generates Title 24 compliance documents as the tests are evaluated and certified.

Enlighted Manage

Width	7.80"	198 mm
Height	1.65"	42 mm
Depth	5.71"	145 mm
Weight	2.64 lb	1.2 kg



Front Panel



Rear Panel

ENLIGHTED SPECIFICATION SUBMITTAL

Job Name:

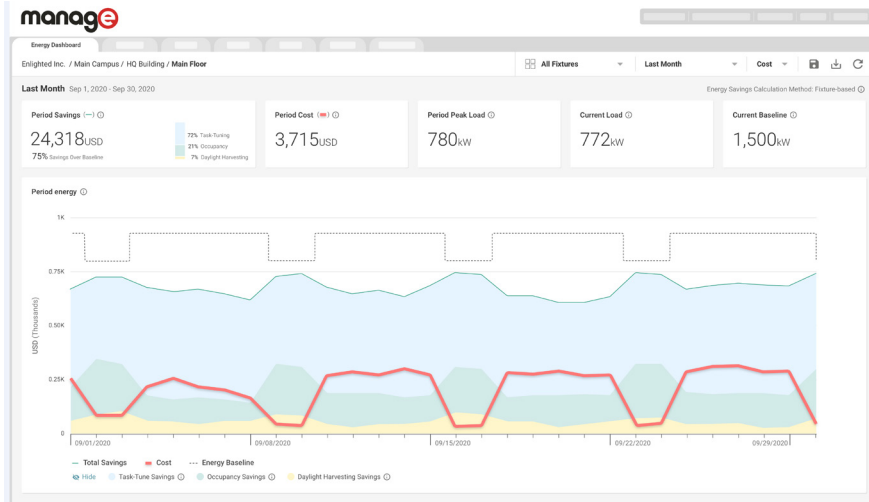
Job Number:

Product Codes:

EM-2-02

ENCL-EM/FAN

ENERGY SAVINGS



MOUNTING

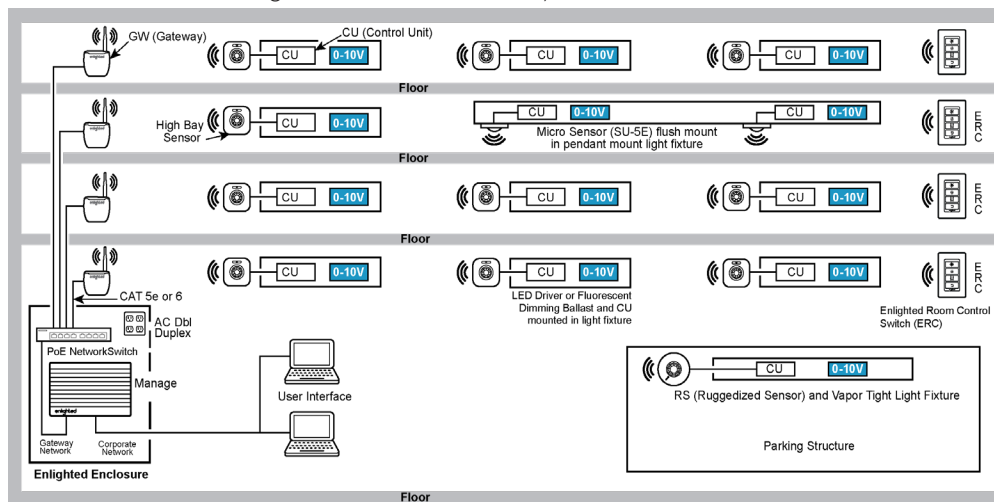
The server is usually mounted in an electrical or telecom room in the Enlighted Enclosure with the PoE and a double duplex receptacle. RJ-45 connectors are included for the Enlighted system to connect to the Corporate and Gateway Network.

WIRING AND OPERATIONS

The server has two Ethernet ports: LAN2/ETH1 and LAN1/ETH0. The Gateway network connects to one of the Ethernet ports on the PoE Switch. The Corporate network connects to the client's IT network or the client's local computer. Manage can be accessed securely via a web browser, eliminating the need to download any software.

The Enlighted Enclosure

Width	20.18"	512 mm
Height	24.18"	614 mm
Depth	6.06"	154 mm



TECHNICAL SPECIFICATIONS

- Operating System: Linux-based
- Web Client: Chrome, Microsoft Edge
- Security: TCP/IP Standards-based
- BACnet: BACnet/IP
- Operating: 32° to 131° F / -0° to 55° C
- Enclosure: Ruggedized aluminum
- Power Supply input: 120/240 V 60 W
- Power Supply output to EM: DC 12 V, 19 W

ORDERING INFORMATION

- EM-2-02: Manage Server. Includes license for 1000 sensors. Allows addition of licenses to support up to 1,500 sensors.
- ENCL-EM/FAN: Enclosure for Manage and PoE Switch

COMPLIANCE

- Europe: CE, RoHS, REACH
- United States: FCC LISTED
- Canada: UL LISTED

WARRANTY: 5 years
View www.enlightedinc.com/limited-warranty-terms for complete terms and conditions.