

# Plug Load Controller

## PC-02-20



### SPECIFICATION

The Enlighted Plug Load Controller (PLC) transforms receptacles in circuits up to 20A into controlled and metered smart receptacles for energy-efficiency and code-compliance. The PLC can also be used for other electrical circuit level control applications.



### OVERVIEW

The Plug Load Controller enables energy savings by controlling Plug Loads through occupancy or schedule-based on/off control of receptacles on a circuit. The device is paired with a sensor or a group of sensors in the network to enable occupancy-based control. The controller features two sets of wires to separately power controlled and uncontrolled outlets, so energy consumption on both uncontrolled and controlled circuits is separately measured. The Plug Load Controller is plenum rated and is intended to be mounted outside an electrical junction box.

### FEATURES

#### Simplified Plug Load Control Management

- Easily configure and manage Plug Load behavior by adjusting software profiles for individual Plug Load Controller via the Enlighted Manage system.
- Generate reports on outlet outages, carbon reduction, energy, and financial savings.
- Control capability is up to 16A (Europe) and 20A (North America).
- Supports overrides for Demand Response or holiday events.
- Mounts to a standard junction box via 1/2" knockout.
- Plenum rated

#### Power Metering

- Energy metering chip measures the controlled and uncontrolled circuits simultaneously. This energy consumption data is collected at 60-second intervals and reported to Manage every five minutes.

#### Standards-based Communications Protocols

- PLC uses industry-standard wireless communication protocols and provides robust and mature capabilities.
- PLC is a wireless device that cannot be installed in a metal enclosure or underneath a raised floor.
- Any metal or concrete structures between the PLC, Sensors, and Gateways will negatively impact the wireless communication of these devices.

#### Data Security

- AES 128-bit encryption for the wireless data transmission
- SSL encryption for TCP/IP data transmission
- Password-protected access control.

#### Energy Utilization

- Group circuits or functional loads for coordinated control of Plug Loads
- Configurable with Manage for scheduled or occupancy-based control
- Gain visibility into historical usage patterns with reporting and trending capabilities in Manage.

#### Enlighted Plug Load Controller

L	3.74"	95 mm
W	1.65"	42 mm
H	1.22"	31 mm
Weight	5.6 oz	0.16 kg

#### ENLIGHTED SPECIFICATION SUBMITTAL

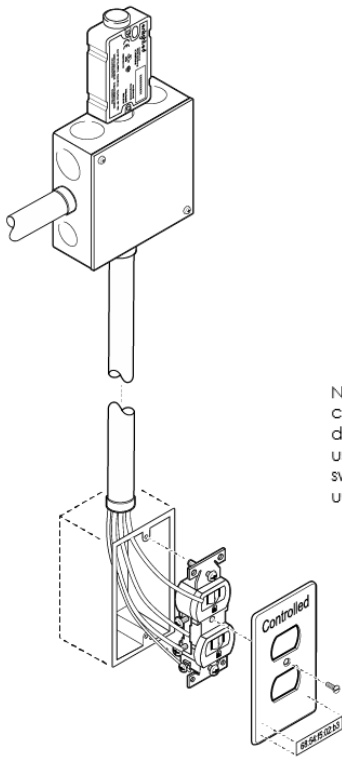
Job Name:	<input type="text"/>
Job Number:	<input type="text"/>
Product Code:	<input type="checkbox"/> PC-02-20

# Plugload Controller

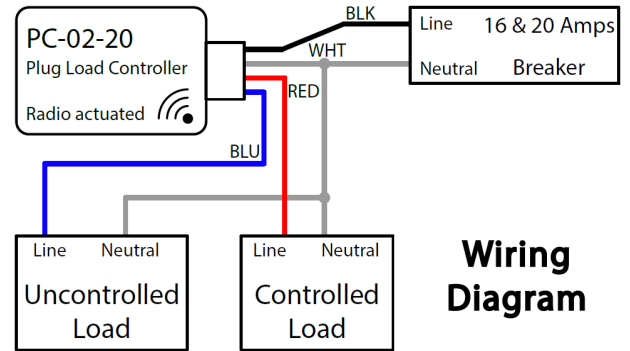
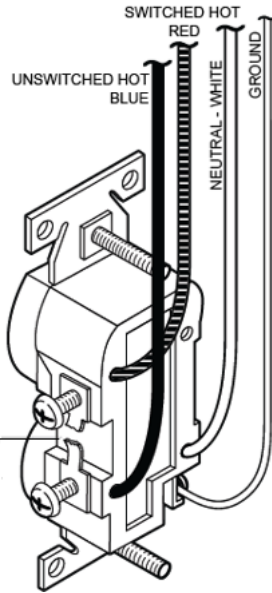
## PC-02-20



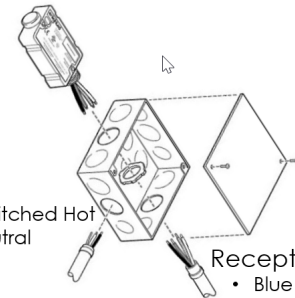
### WIRING AND INSTALLATION DIAGRAMS



Note: Remove common tab if single duplex receptacle is used for both switched and unswitched loads



**Wiring Diagram**



Main feed:

- Blue - Unswitched Hot
- White - Neutral
- Ground

Receptacle feed:

- Blue - Unswitched Hot
- Red - Switched Hot
- White - Neutral
- Ground

Supply Leads	Voltage	Maximum	Hz
Line (Black) and Neutral (White)	120 through 277 VAC	20 Amps	50/60

#### Output (red or blue lead) Ratings by Load Type

Leads	Rating - N. America	Rating - Europe (μ)	Load Type
Red	277 VAC, 20A	250 VAC, 16A Cosθ 0.6	Switched - Inductive, General Use
	277 VAC, 2 HP (10A)	250 VAC, 12A Cosθ 0.5	Switched Motor
	120 VAC, 1 HP (16A)	120 VAC, 16A Cosθ 0.5	Switched Motor
	277 VAC, 16A	250 VAC, 16A	Switched - Electronic Ballast (Driver)
Blue	20A	16A	Unswitched

### TECHNICAL SPECIFICATIONS

Input Voltage: 120 to 277 VAC  
 Input Frequency: 50/60 Hz  
 Operating: 32° to 122° F/ 0° to 50° C  
 Radio Frequency: 2400–2483.5 MHz  
 RF TX Output Power: 3.5 dBm  
 Wireless Protocol: IEEE 802.15.4  
 Wireless Range: 150 ft. radius (46 m)  
 open field  
 Maximum Output Current: 20 A

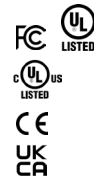
### ORDERING INFORMATION

PC-02-20 Plug Load Controller

\*Initially intended for use in Europe, and eventually intended for global use.

### COMPLIANCE

United States  
 Canada  
 European Union  
 United Kingdom



**WARRANTY:** 5 years

Refer to [www.enlightedinc.com/limited-warranty-terms](http://www.enlightedinc.com/limited-warranty-terms) for complete terms and conditions.